

Pluggable Multi-Pole SPD

SPT12.5-XXX/3(S)

Class I • Class II • Type 1 • Type 2 • Type 1CA

Location of Use: Main Distribution Boards

Network Systems: TN-C

Mode of Protection: L-PEN

Surge Ratings: I_{imp} = up to 12.5 kA (10/350 μ s)
 I_n = up to 20 kA (8/20 μ s)

IEC/EN/UL Category: Class I+II / Type 1+2 / Type 1CA

Protective Elements: High Energy MOV

Housing: Pluggable Design

Compliance: IEC 61643-11:2011
EN 61643-11:2012
UL 1449 4th Edition



Technical Data

SPT12.5-XXX/3(S)		150	275	320	385	440
IEC Electrical						
Nominal AC Voltage (50/60Hz)	U_o/U_n	120V	230V	230V	230V	400V
Maximum Continuous Operating Voltage (AC)	U_c	150V	275V	320V	385V	440V
Nominal Discharge Current (8/20 μ s)	I_n	20kA	20kA	20kA	10kA	10kA
Maximum Discharge Current (8/20 μ s)	I_{max}	50kA	50kA	50kA	50kA	50kA
Impulse Discharge Current (10/350 μ s)	I_{imp}	12.5kA	12.5kA	12.5kA	10kA	10kA
Specific Energy	W/R	39kJ/ Ω	39kJ/ Ω	39kJ/ Ω	25 kJ/ Ω	25kJ/ Ω
Charge	Q	6.25As	6.25As	6.25As	5As	5As
Voltage Protection Level	U_p	1000V	1500V	1600V	1800V	2000 V
Response Time	t_a	<25 ns				
Back-Up Fuse (max)		315 A / 250 A gG				
Short-Circuit Current Rating (AC)	I_{SCCR}	25 kA / 50 kA				
TOV Withstand 5s	U_T	180V	335V	335V	335V	580V
TOV 120min	U_T	230V	440V	440V	440V	765V
	Mode	Safe Fail	Safe Fail	Safe Fail	Safe Fail	Safe Fail
Number of Ports		1				
UL Electrical						
Maximum Continuous Operating Voltage (AC)	MCOV	150V	275V	320V	385V	440V
Voltage Protection Rating	VPR	600V	900V	1200V	1350V	1500V
Nominal Discharge Current (8/20 μ s)	I_n	20kA	20kA	20kA	20kA	20kA
Short-Circuit Current Rating (AC)	SCCR	200kA	150kA	150kA	150kA	200kA
Mechanical & Environmental						
Operating Temperature Range	T_a	-40 °F to +158 °F [-40 °C to +70 °C]				
Permissible Operating Humidity	RH	5%...95%				
Atmospheric pressure and altitude		80k Pa ... 106k Pa / -500 m ... 2000 m				
Terminal Screw Torque	M max	39.9 lbf·in [4.5 Nm]				
Conductor Cross Section (max)		2 AWG (Solid, Stranded) / 4 AWG (Flexible)				
		35 mm ² (Solid, Stranded) / 25 mm ² (Flexible)				
Mounting		35 mm DIN Rail, EN 60715				
Degree of Protection		IP 20 (built-in)				
Housing Material		Thermoplastic: Extinguishing Degree UL 94 V-0				
Thermal Protection		Yes				
Operating State / Fault Indication		Green ok / Red defect				
Remote Contacts (RC)		Optional				
RC Switching Capacity		AC: 250V / 0.5 A; DC: 250V / 0.1 A; 125 V / 0.2 A; 75 V / 0.5 A				
RC Conductor Cross Section (max)		16 AWG (Solid) / 1.5 mm ² (Solid)				

SPT12.5-XXX/3(S)

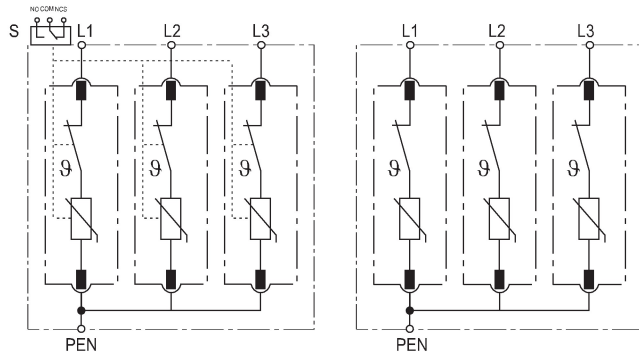


Order Information					
Order Code	150	275	320	385	440
SPT12.5-XXX/3	1215031	1227531	1232031	1238531	1244031
SPT12.5-XXX/3S(with remote contacts)	1215032	1227532	1232032	1238532	1244032
SPT12.5-XXX/0(spare modules)	1215001	1227501	1232001	1238501	1244001

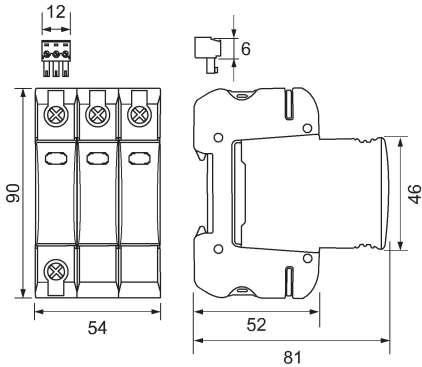
Internal Configuration

Legend

- L Line
- N Neutral
- PE Protective Earth
- S Signalling Contacts Optional



Dimensions & Packaging

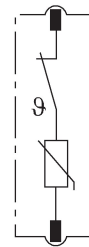


Dimensions & Packaging

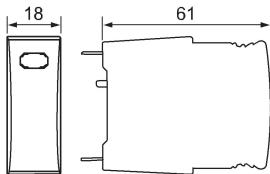
SPT12.5-XXX/3(S)	150	275	320	385	440
Single Unit DIN 43880 Dimension	1 CTN				
Packaging Dimensions (H x W x L)	[200 x 230 x 330 mm]				
Minimum Order Quantity	16 Units				

Plug Internal Configuration

SPT12.5-XXX/0



Dimensions & Packaging



Dimensions & Packaging

SPT12.5-XXX/0	150	275	320	385	440
Single Unit DIN 43880 Dimension	1 CTN				
Packaging Dimensions (H x W x L)	[200 x 230 x 330 mm]				
Minimum Order Quantity	64 Units				

Connection Diagram

