

Pluggable Multi-Pole SPD

SPT40-XXX/1(S)+1

Class II • Type 2 • Type 1CA

- Location of Use: Sub-Distribution Boards
- Network Systems: TT, TN-S
- Mode of Protection: L-N, N-PE
- Surge Ratings: $I_n = 20 \text{ kA}(8/20\mu\text{s})$
- IEC/EN/UL Category: Class II / Type 2 / Type 1CA
- Protective Elements: High Energy MOV and GDT
- Housing: Pluggable Design
- Compliance: IEC 61643-11:2011
EN 61643-11:2012
UL 1449 4th Edition



Technical Data

SPT40-XXX/1(S)+1

		75	150	275	320
IEC Electrical					
Nominal AC Voltage (50/60Hz)		60 V	120 V	230 V	230 V
Maximum Continuous Operating Voltage	(L - N) U_c	75 V	150 V	275 V	320 V
	(N - PE) U_c	255 V	255 V	255 V	255 V
Nominal Discharge Current (8/20 μs)	(L - N) / (N - PE) I_n	20 kA / 20 kA			
Maximum Discharge Current (8/20 μs)	(L - N) / (N - PE) I_{max}	40 kA / 40 kA			
Voltage Protection Level	(L - N) / (N - PE) U_p	400 V / 1000 V	1000 V / 1000 V	1500 V / 1000 V	1600 V / 1000 V
Follow Current Interrupt Rating	(N-PE) I_{fi}	100 A _{RMS}			
Response Time	(L - N) / (N - PE) t_A	< 25 ns / < 100 ns			
Back-Up Fuse (max)		125 A gL / gG			
Short-Circuit Current Rating (AC)	(L - N) I_{SCCR}	25 kA / 50 kA			
TOV Withstand 5s	(L - N) U_T	90 V	180 V	335 V	335 V
TOV 120min	(L - N) U_T	115V	230 V	440 V	440 V
		mode	Withstand	Withstand	Safe Fail
TOV Withstand 200ms	(N - PE) U_T	1200 V			
Number of Ports		1			
UL Electrical					
Maximum Continuous Operating Voltage (AC)	(L - N) / (N - PE) MCOV	75 V / 255 V	150 V / 255 V	275 V / 255 V	320 V / 255 V
Voltage Protection Rating	(L - N) / (N - PE) VPR	330 V / 1000 V	600 V / 1000 V	900 V / 1000 V	1000 V / 1000 V
Nominal Discharge Current (8/20 μs)	(L - N) / (N - PE) I_n	20 kA / 20 kA	20 kA / 20 kA	20 kA / 20 kA	20 kA / 20 kA
Short-Circuit Current Rating (AC)	(L - N) SCCR	100 kA	200 kA	150 kA	150 kA
Mechanical & Environmental					
Operating Temperature Range	T_a	-40 °F to +158 °F [-40 °C to +70 °C]			
Permissible Operating Humidity	RH	5%...95%			
Atmospheric pressure and altitude		80k Pa ... 106k Pa / -500 m ... 2000 m			
Terminal Screw Torque	M_{max}	39.9 lbf-in [4.5 Nm]			
Conductor Cross Section (max)		2 AWG (Solid, Stranded) / 4 AWG (Flexible)			
		35 mm ² (Solid, Stranded) / 25 mm ² (Flexible)			
Mounting		35 mm DIN Rail, EN 60715			
Degree of Protection		IP 20 (built-in)			
Housing Material		Thermoplastic: Extinguishing Degree UL 94 V-0			
Thermal Protection		Yes			
Operating State / Fault Indication		Green ok / Red defect			
Remote Contacts (RC)		Optional			
RC Switching Capacity		AC: 250V / 0.5 A; DC: 250V / 0.1 A; 125 V / 0.2 A; 75 V / 0.5 A			
RC Conductor Cross Section (max)		16 AWG (Solid) / 1.5 mm ² (Solid)			

SPT40-XXX/1(S)+1



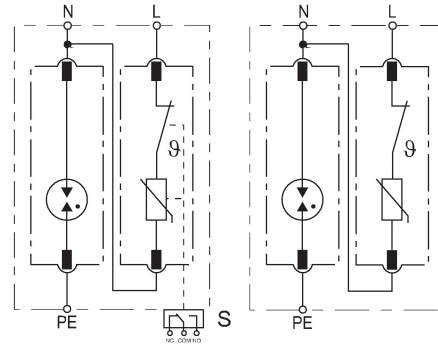
Order Information

Order Code	75	150	275	320
SPT40-XXX/1+1	4007513	4015013	4027513	4032013
SPT40-XXX/1S+1 (with remote contacts)	4007514	4015014	4027514	4032014
SPT40-XXX/0 (spare modules)	4007501	4015001	4027501	4032001
SPT40-NPE/0 (spare modules)	4025501	4025501	4025501	4025501

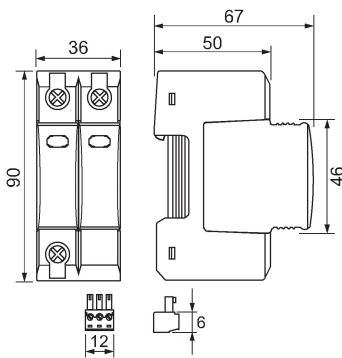
Internal Configuration

Legend

- L Line
- N Neutral
- PE Protective Earth
- S Signalling Contacts Optional

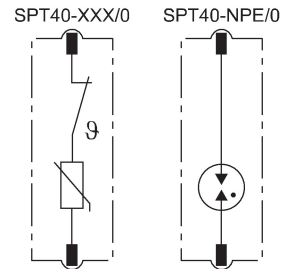


Dimensions & Packaging

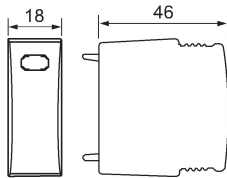


Dimensions & Packaging

SPT40-XXX/1(S)+1	75	150	275	320
Single Unit DIN 43880 Dimension	1 CTN			
Packaging Dimensions (H x W x L)	[270 x 230 x 330 mm]			
Minimum Order Quantity	42 Units			



Dimensions & Packaging



Dimensions & Packaging

SPT40-XXX/0	75	150	275	320
SPT40-NPE/0	40			
Single Unit DIN 43880 Dimension	1 CTN			
Packaging Dimensions (H x W x L)	[270 x 230 x 330 mm]			
Minimum Order Quantity	96 Units			

Connection Diagram

TN-S,TT (Single-phase, 1+1)

