

## Pluggable Multi-Pole SPD

# SPT40-XXX/3(S)+1

Class II • Type 2 • Type 1CA

Location of Use: Sub-Distribution Boards

Network Systems: TT, TN-S

Mode of Protection: L-N, N-PE

Surge Ratings:  $I_n = 20 \text{ kA} (8/20 \mu\text{s})$

IEC/EN/UL Category: Class II / Type 2 / Type 1CA

Protective Elements: High Energy MOV and GDT

Housing: Pluggable Design

Compliance: IEC 61643-11:2011

EN 61643-11:2012

UL 1449 4th Edition



## Technical Data

### SPT40-XXX/3(S)+1

		150	275	320	385
<b>IEC Electrical</b>					
Nominal AC Voltage (50/60Hz)		120 V	230 V	230 V	230 V
Maximum Continuous Operating Voltage	(L - N) $U_c$	150 V	275 V	320 V	385 V
	(N - PE) $U_c$	255 V	255 V	255 V	255 V
Nominal Discharge Current (8/20 $\mu\text{s}$ )	(L - N) / (N - PE) $I_n$	20 kA / 20 kA			
Maximum Discharge Current (8/20 $\mu\text{s}$ )	(L - N) / (N - PE) $I_{\text{max}}$	40 kA / 40 kA			
Voltage Protection Level	(L - N) / (N - PE) $U_p$	1000 V / 1000 V	1500 V / 1000 V	1600 V / 1000 V	1750 V / 1000 V
Follow Current Interrupt Rating	(N-PE) $I_{\text{fi}}$	100 A <sub>RMS</sub>			
Response Time	(L - N) / (N - PE) $t_A$	< 25 ns / < 100 ns			
Back-Up Fuse (max)		125 A gL / gG			
Short-Circuit Current Rating (AC)	(L - N) $I_{\text{SCCR}}$	25 kA / 50 kA			
TOV Withstand 5s	(L - N) $U_T$	180 V	335 V	335 V	335 V
TOV 120min	(L - N) $U_T$	230 V	440 V	440 V	440 V
	Mode	Withstand	Safe Fail	Safe Fail	Safe Fail
TOV Withstand 200ms	(N - PE) $U_T$	1200 V			
Number of Ports		1			
<b>UL Electrical</b>					
Maximum Continuous Operating Voltage (AC)	(L - N) / (N - PE) MCOV	150 V / 255 V	275 V / 255 V	320 V / 255 V	320 V / 255 V
Voltage Protection Rating	(L - N) / (N - PE) VPR	600 V / 1000 V	900 V / 1000 V	1000 V / 1000 V	1200 V / 1000 V
Nominal Discharge Current (8/20 $\mu\text{s}$ )	(L - N) / (N - PE) $I_n$	20 kA / 20 kA	20 kA / 20 kA	20 kA / 20 kA	20 kA / 20 kA
Short-Circuit Current Rating (AC)	(L - N) SCCR	200 kA	150 kA	150 kA	150 kA
<b>Mechanical &amp; Environmental</b>					
Operating Temperature Range	$T_a$	-40 °F to +158 °F [-40 °C to +70 °C]			
Permissible Operating Humidity	RH	5%...95%			
Atmospheric pressure and altitude		80k Pa ... 106k Pa / -500 m ... 2000 m			
Terminal Screw Torque	$M_{\text{max}}$	39.9 lbf-in [4.5 Nm]			
Conductor Cross Section (max)		2 AWG (Solid, Stranded) / 4 AWG (Flexible)			
		35 mm <sup>2</sup> (Solid, Stranded) / 25 mm <sup>2</sup> (Flexible)			
Mounting		35 mm DIN Rail, EN 60715			
Degree of Protection		IP 20 (built-in)			
Housing Material		Thermoplastic: Extinguishing Degree UL 94 V-0			
Thermal Protection		Yes			
Operating State / Fault Indication		Green ok / Red defect			
Remote Contacts (RC)		Optional			
RC Switching Capacity		AC: 250V / 0.5 A; DC: 250V / 0.1 A; 125 V / 0.2 A; 75 V / 0.5 A			
RC Conductor Cross Section (max)		16 AWG (Solid) / 1.5 mm <sup>2</sup> (Solid)			

# SPT40-XXX/3(S)+1



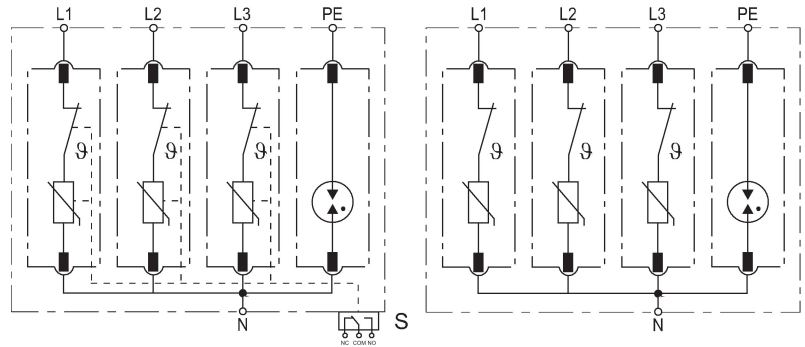
## Order Information

Order Code	150	275	320	385
SPT40-XXX/3+1	4015033	4027533	4032033	4038533
SPT40-XXX/3S+1(with remote contacts)	4015034	4027534	4032034	4038534
SPT40-XXX/0(spare modules )	4015001	4027501	4032001	4038501
SPT40-NPE/0(spare modules )	4025501	4025501	4025501	4025501

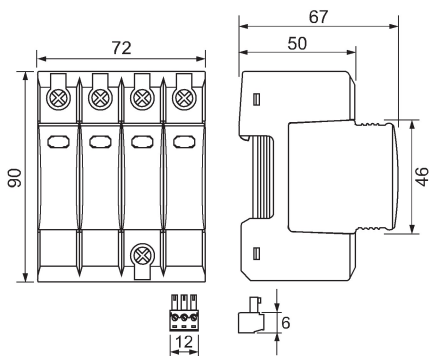
## Internal Configuration

### Legend

- L Line
- N Neutral
- PE Protective Earth
- S Signalling Contacts Optional



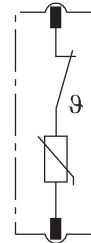
## Dimensions & Packaging



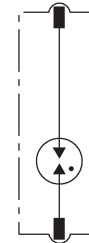
## Dimensions & Packaging

SPT40-XXX/3(S)+1	150	275	320	385
Single Unit DIN 43880 Dimension				1 CTN
Packaging Dimensions (H x W x L)	[270 x 230 x 330 mm]			
Minimum Order Quantity	24 Units			

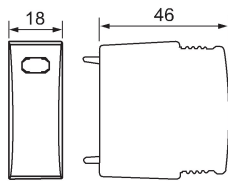
### SPT40-XXX/0



### SPT40-NPE/0



## Dimensions & Packaging



## Dimensions & Packaging

SPT40-XXX/0	150	275	320	385
SPT40-NPE/0	40			
Single Unit DIN 43880 Dimension	1 CTN			
Packaging Dimensions (H x W x L)	[270 x 230 x 330 mm]			
Minimum Order Quantity	96 Units			

## Connection Diagram

TN-S, TT (Three-phase, 3+1)

