

## Pluggable Multi-Pole SPD

# SPT40-XXX/3(S)

Class II • Type 2 • Type 1CA

Location of Use: Sub-Distribution Boards

Network Systems: TN-C

Mode of Protection: L-PEN

 Surge Ratings:  $I_n = 20 \text{ kA} (8/20 \mu\text{s})$ 

IEC/EN/UL Category: Class II / Type 2 / Type 1CA

Protective Elements: High Energy MOV

Housing: Pluggable Design

Compliance: IEC 61643-11:2011

EN 61643-11:2012

UL 1449 4th Edition



## Technical Data

SPT40-XXX/3(S)		150	275	320	385	440
<b>IEC Electrical</b>						
Nominal AC Voltage (50/60Hz)	$U_o / U_n$	120 V	230 V	230 V	230 V	400 V
Maximum Continuous Operating Voltage (AC)	$U_c$	150 V	275 V	320 V	385 V	440 V
Nominal Discharge Current (8/20 $\mu\text{s}$ )	$I_n$	20 kA	20 kA	20 kA	20 kA	20 kA
Maximum Discharge Current (8/20 $\mu\text{s}$ )	$I_{max}$	40 kA	40 kA	40 kA	40 kA	40 kA
Voltage Protection Level	$U_p$	1000 V	1500 V	1600 V	1750 V	2000 V
Response Time	$t_A$	< 25 ns				
Back-Up Fuse (max)		125 A gL / gG				
Short-Circuit Current Rating (AC)	$I_{SCCR}$	25 kA / 50 kA				
TOV Withstand 5s	$U_T$	180 V	335 V	335 V	335 V	580 V
TOV 120min	$U_T$	230 V	440 V	440 V	440 V	765 V
	mode	Withstand	Safe Fail	Safe Fail	Safe Fail	Safe Fail
Number of Ports		1				
<b>UL Electrical</b>						
Maximum Continuous Operating Voltage (AC)	MCOV	150 V	275 V	320 V	385 V	440 V
Voltage Protection Rating	VPR	600 V	900 V	1000 V	1200 V	1500 V
Nominal Discharge Current (8/20 $\mu\text{s}$ )	$I_n$	20 kA	20 kA	20 kA	20 kA	20 kA
Short-Circuit Current Rating (AC)	SCCR	200 kA	150 kA	150 kA	150 kA	200 kA
<b>Mechanical &amp; Environmental</b>						
Operating Temperature Range	$T_a$	-40 °F to +158 °F [-40 °C to +70 °C]				
Permissible Operating Humidity	RH	5%...95%				
Atmospheric pressure and altitude		80k Pa ... 106k Pa / -500 m ... 2000 m				
Terminal Screw Torque	$M_{max}$	39.9 lbf-in [4.5 Nm]				
Conductor Cross Section (max)		2 AWG (Solid, Stranded) / 4 AWG (Flexible) 35 mm <sup>2</sup> (Solid, Stranded) / 25 mm <sup>2</sup> (Flexible)				
Mounting		35 mm DIN Rail, EN 60715				
Degree of Protection		IP 20 (built-in)				
Housing Material		Thermoplastic: Extinguishing Degree UL 94 V-0				
Thermal Protection		Yes				
Operating State / Fault Indication		Green ok / Red defect				
Remote Contacts (RC)		Optional				
RC Switching Capacity		AC: 250V / 0.5 A; DC: 250V / 0.1 A; 125 V / 0.2 A; 75 V / 0.5 A				
RC Conductor Cross Section (max)		16 AWG (Solid) / 1.5 mm <sup>2</sup> (Solid)				

# SPT40-XXX/3(S)



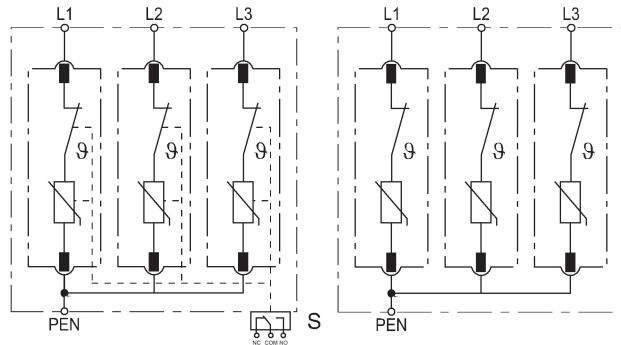
## Order Information

Order Code	150	275	320	385	440
SPT40-XXX/3	4015031	4027531	4032031	4038531	4044031
SPT40-XXX/3S (with remote contacts)	4015032	4027532	4032032	4038532	4044032
SPT40-XXX/0 (spare modules )	4015001	4027501	4032001	4038501	4044001

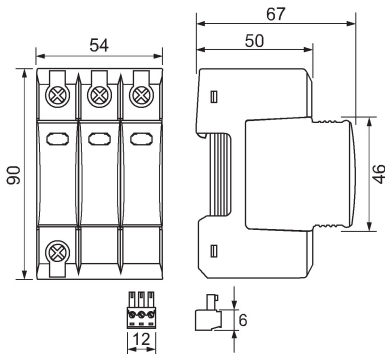
## Internal Configuration

### Legend

- L Line
- N Neutral
- PE Protective Earth
- S Signalling Contacts Optional



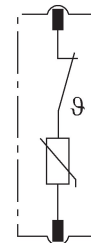
## Dimensions & Packaging



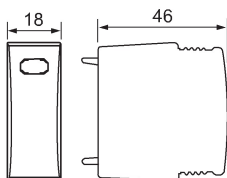
### Dimensions & Packaging

SPT40-XXX/3(S)	150	275	320	385	440
Single Unit DIN 43880 Dimension	1 CTN				
Packaging Dimensions (H x W x L)	[270 x 230 x 330 mm]				
Minimum Order Quantity	30 Units				

SPT40-XXX/0



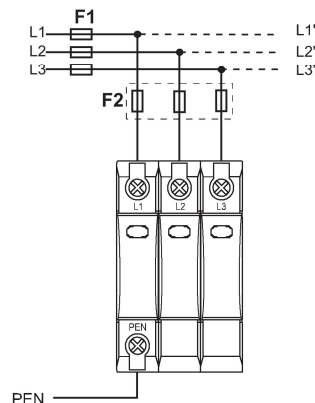
## Dimensions & Packaging



### Dimensions & Packaging

SPT40-XXX/0	150	275	320	385	440
Single Unit DIN 43880 Dimension	1 CTN				
Packaging Dimensions (H x W x L)	[270 x 230 x 330 mm]				
Minimum Order Quantity	96 Units				

TN-C (Three-phase, 3+0)



## Connection Diagram